

# Video Splitter (SA-VS104)

## Introduction:

The SA-VS104 Video Splitter is a boosting device to duplicate video signals from one source to up to 4 outputs, and is ideal for any monitor using analog signals. This device also extends the transmission distance to 210 feet, making it an excellent choice for broadcast systems. Works on VGA, SVGA or Multisync monitors.\*

## Features:

- From one video input to 4 video outputs.
- Transmission distance: 65 m (210 feet).
- Suitable for VGA, SVGA or Multisync.\*
- Daisy-chainable. (See Figure 1)
- Power-save mode, when computer is off, is indicated by flashing power LED.
- Supports one XGA port (Video Out 1)

## Specifications:

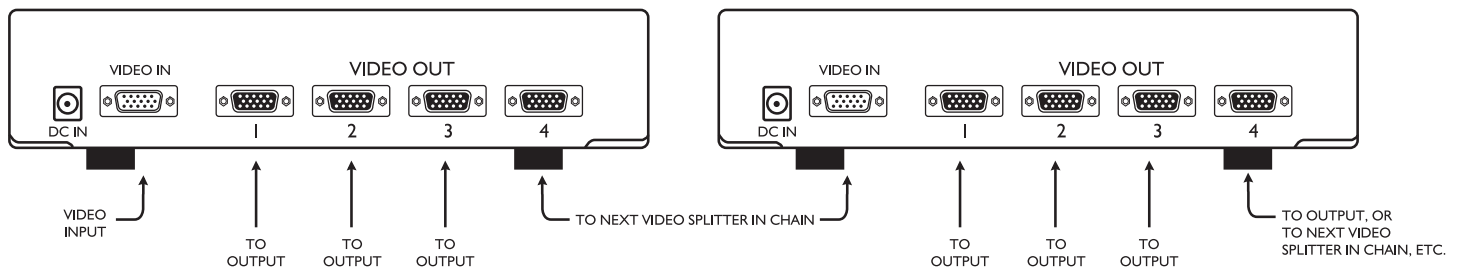
Power Consumption (max.)	DC9V, 130mA
Cable Distance	65M (210 feet)
Signal type	XVGA, VGA, SVGA, Multisync
Slide Switch	Video Signal Gain Control
Connector-Input	1 High Density HD-15M
Connector-Output	4 High Density HD-15F
Weight	1150 grams
Dimensions	224x152x52 (mm)

## Daisy-Chain Installation:

(See Figure 1 below)

1. Connect one of the **VIDEO OUTs** of the Video Splitter to the **VIDEO IN** of the following stage Video Splitter by a Male to Female HD-15 cable.
2. Adjust the Gain Control Slide Switch to provide optimum video signal.
3. Repeat the two above steps to connect from one to three more Video Splitters.

## Figure 1: Daisy Chain



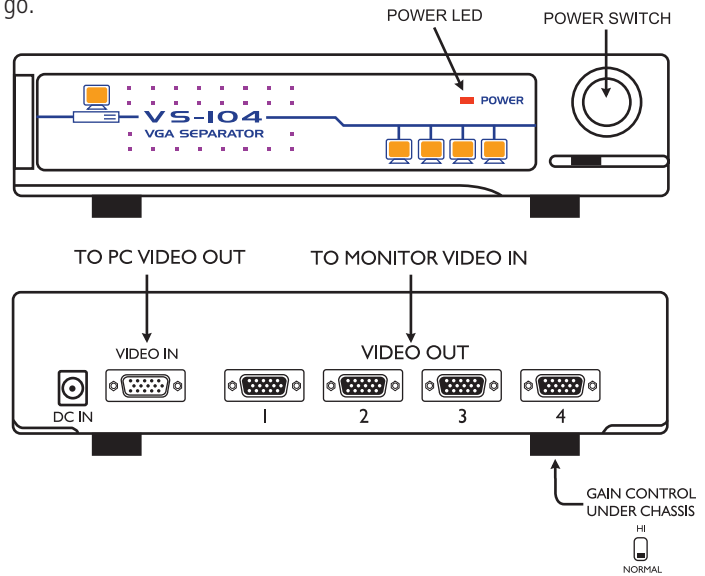
## Installation:

Stand-Alone Installation:

1. Connect the video signal from your PC to the **VIDEO IN** port by a high density HD-15 cable. (See Figure 2 below)
2. Connect up to four **VIDEO OUTs** to monitors by high density HD-15 cables.
3. Turn on the power of the Video Splitter and you are ready to go.

**Note:** A slide switch, accessed from under the chassis, is for **GAIN CONTROL**. Slide it toward the front panel for normal Gain (shorter distance operation), and move it away from the front panel for high Gain (longer distance operation).

Figure 2: Installation



## Contents:

1. Video Splitter
2. One HD DB15 Male to HD DB15 Female Cable.
3. One DC power source adapter.

**Note:** \*This product is NOT suitable for CGA, EGA, or MONOCHROME monitors using digital video code.